

# ASSA Vinga

A complete series of handles

**ASSA**<sup>®</sup>  
ASSA ABLOY

ASSA ABLOY, the global leader  
in door opening solutions.

## ASSA Vinga-series

ASSA has, in collaboration with architect Pelle Wester, produced a new complete series of fittings for doors and windows.

“Good architecture and beautiful windows need beautiful fittings – also when they are child proofed or lockable. This has been our intention to create.”



Pelle Wester  
Designer

# Index

## Handles for windows and glazed doors

ASSA 7311	Handle, straight	4
ASSA 7311H	Handle, right	4
ASSA 7311V	Handle, left	4
ASSA 7343	Handle, straight	4
ASSA 7343H	Handle, right	4
ASSA 7343V	Handle, left	4
ASSA 7450	Handle locking device, child safety device	5

## Security handles for windows and glazed doors

ASSA 7312	Security handle, straight	6
ASSA 7312H	Security handle, right	6
ASSA 7312V	Security handle, left	6

## Cylinders for security handles

ASSA 716	ASSA cylinder, 700-series for security handle 7312	7
ASSA dp 2416	ASSA cylinder, dp CLIQ-series for security handle 7312	7
ASSA 5816	ASSA cylinder, Twin Combi for security handle 7312	7
ASSA 7310	ASSA cylinder for security handle 7312	7

## Handles for glazed doors with lockable espagnolette

ASSA 7314	Handle, straight, back plate with oval cylinder hole	8
ASSA 7314H	Handle, right, back plate with oval cylinder hole	8
ASSA 7314V	Handle, left, back plate with oval cylinder hole	8
7315	Handle, straight, back plate with rococo cylinder hole	8
7315H	Handle, right, back plate with rococo cylinder hole	8
7315V	Handle, left, back plate with rococo cylinder hole	8

## Accessories

ASSA 7313	Turn catch for handle 7314	9
ASSA 7335	Turn catch (for latch bolt espagnolettes) for handle 7314	9
ASSA 7323	Cover plate for handle 7314	9

## Handles for internal doors

ASSA 73	Handle	10
ASSA 7360	Turn catch for bathrooms	11
ASSA 7390	Key escutcheon	11

## Mounting/dismounting of Vingå handles

ASSA 7339	Dismounting key	12
-----------	-----------------	----

## Dimensions

14

# ASSA OEM – the security company

ASSA OEM AB is an ASSA ABLOY Group company. ASSA OEM develops, manufactures and markets a wide range of locks and fittings for windows, doors, gates and apertures. The company is now a market leader in the Nordic countries and well-established in other countries.

## Quality and environment

ASSA OEM's quality and environmental systems are certified to and fulfil the requirements of ISO 9001 and ISO 14001 respectively.

## Function, security and design

Our diverse ironmongery solutions provide a solid and secure function when it comes to opening, retaining, closing or locking windows, doors and gates. The design is also of great importance.

# Handles for windows and glazed doors

## ASSA Vinga 7311 and 7343

ASSA 7311 and 7343 are handles suitable for old as well as modern architecture. The handles are available in straight, right and left versions. ASSA 7343 is suitable for smaller windows.

### Function and features

The handles have a plate that conceals the fixing. The grip of the handle is pressed onto the plate with a unique snap-in attachment. The grip can easily be dismantled and changed to another grip, e.g. a lockable or a grip with a different surface treatment.

### Material

The handle is made of zinc alloy with a cover plate of brass. The spindle is made of 8 mm galvanized square steel. 7 mm square spindle can be supplied on request.

### Accessories

Handle locking device ASSA 7450, page 5.

Handle couplings with break slot (ASSA 833, 833/16, 961) are used when a handle is to be mounted on both sides.

### Surface treatment



Chrome, satin chrome, brass plated, (powder coat and miralloy on request).

### Note!

We recommend powder coat to increase the corrosion protection on e.g. outer handle.



ASSA 7311

Description	Version	Article no.	Spindle length (mm)	
			43	53
Handle	Straight	7311, 7343	X	X
Handle	Right	7311H, 7343H	X	X
Handle	Left	7311V, 7343V	X	X

Please, always state article number, surface treatment and spindle length when ordering.



ASSA 7311V

ASSA 7311H



ASSA 7343V

ASSA 7343H



In order to open, you need to raise the catch and at the same time turn the handle.



## Handle locking device for windows and glazed doors – approved, child safety device

### ASSA Vinga 7450

#### Function and features

ASSA 7450 automatically locks the handle when it is turned to the closed position. In order to open, the catch must be raised at the same time as the handle is turned.

#### Material

The handle locking device is made of zinc alloy with a catch of steel.

#### Surface treatment



Chrome, satin chrome, brass plated, (powder coat and miralloy on request).

Please, always state article number and surface treatment when ordering.



ASSA 7450

# Security handles for the inside of windows and glazed doors

## ASSA Vingå 7312

ASSA 7312 is a handle suitable for old as well as modern architecture. It is available in straight, right and left versions. The size and design of the handle makes it easier to operate even old and large doors and windows.

### Function and features

ASSA 7312 has a plate that conceals the fixings and the handle secures the screws in the locked position. The grip of the handle is pressed onto the plate with a unique snap-in attachment. The grip can easily be dismantled and changed to another grip, e.g. a lockable or a grip with a different surface treatment. Fulfils the requirements according to Swedish Standard, SS 3620, class B.

### Material

The handle is made of zinc alloy with a cover plate of brass. The spindle is made of 8 mm galvanized square steel. 7 mm square spindle can be supplied on request.

### Accessories

Cylinder: ASSA 7310, keyed-alike or different locking.

Cylinder: ASSA 5816, ASSA Twin Combi-series.

Cylinder: ASSA 2416, ASSA dp CLIQ-series.

Cylinder: ASSA 716, ASSA 700-series.

Handle couplings with break slot (ASSA 833, 833/16, 961) are used when a handle is to be mounted on both sides.

### Surface treatment



Chrome, satin chrome, brass plated,  
(powder coat and miralloy on request).

Description	Version	Article no.	Spindle length mm
Handle	Straight	7312	53
Handle	Right	7312H	53
Handle	Left	7312V	53

Please, always state article number, type of cylinder with keyed-alike or different locking, surface treatment and spindle length when ordering.



ASSA 7312



ASSA 7312V

ASSA 7312H

# Cylinders for security handles

## ASSA 716/5816 Vinga cylinder

### ASSA 7310 Vinga cylinder

The Vinga series is suitable for different types of cylinder groups. ASSA 5816 is used for locking system and ASSA 716, together with ASSA Max, for the "Do It Yourself" market. These cylinders are supplied by ASSA AB.

ASSA 7310 is a cylinder that offers the user keyed-alike or different locking.

### Function and features

All cylinders are of the pushbutton cylinder type which means that the cylinder is pushed into the handle, which then will be locked. When opening, the cylinder will return into unlocked position. The key can be removed both in locked and unlocked position.

- Fulfills the requirements for lockable windows and glazed doors according to Swedish Standard, SS 3620, class B.
- Pushbutton cylinder function.
- Protection against pick and manipulation.
- Easy mounting/dismounting into ASSA Vinga handles.

### Surface treatment

The Vinga cylinders are available in the surface treatments stated below.

11 Chrome

13 Satin chrome

21 Satin brass (ASSA cylinders)

Brass plated (ASSA cylinder)

Article no.	Series
716	Vinga cylinder, 700-series
2416	Vinga cylinder, dp CLIQ-series
5616	Vinga cylinder, Max-series
4816	Vinga cylinder, 4800-series
5816	Vinga cylinder, 5800-series
7310	Vinga cylinder

Please, always state type of cylinder with keyed-alike or different locking and surface treatment when ordering.



ASSA 716



ASSA 2416



ASSA 5816



ASSA 7310

# Handles for glazed doors with lockable espagnolette

## ASSA Vinga 7314/7315

ASSA 7314 and 7315 are suitable for old as well as modern architecture. The handles are available in straight, right and left versions. The size and design of the handle makes it easy to operate even old and large doors and windows.

### Function and features

ASSA 7314 has an oval cylinder hole while ASSA 7315 has a rococo cylinder hole. Both are suitable for ASSA's lockable espagnolettes and make it possible to lock from one or both sides with a cylinder and/or turn catch.

### Material

The handle and the back plate are made of zinc alloy. The spindle is made of 8 mm galvanized square steel. 7 mm square spindle can be supplied on request.

### Accessories

Turn catch, ASSA 7313, p. 9.

Turn catch, ASSA 7335, p. 9.

Cover plate ASSA 7323, p. 9.

Handle couplings with break slot (ASSA 833, 833/16, 961) are used when a handle is to be mounted on both sides.

### Surface treatment



Chrome, satin chrome, brass plated.  
(powder coat and miralloy on request).

### Note!

We recommend powder coat to increase the corrosion protection on e.g. outer handle.



Description	Version	Article no.	Spindle length (mm)
Handle	Straight, back plate oval cylinder hole	7314	53
Handle	Right, back plate oval cylinder hole	7314H	53
Handle	Left, back plate oval cylinder hole	7314V	53
Handle	Straight, back plate rococo cylinder hole	7315	53
Handle	Right, back plate rococo cylinder hole	7315H	53
Handle	Left, back plate rococo cylinder hole	7315V	53

Please, always state article number, type of cylinder with keyed-alike or different locking, surface treatment and spindle length when ordering.



# Turn catch for handle

## ASSA 7314

### ASSA Vinga 7313/7335

The turn catch is suitable on the inside of lockable espagnolettes. ASSA 7335 is specially made for the inside of lockable latch bolt espagnolettes.

### Function and features

The turn catch is fitted to handle ASSA 7314 from the backside. The espagnolette is locked when the turn catch is in vertical position and unlocked in horizontal position. ASSA 7335 is specially made for ASSA's latch bolt espagnolette, but can be used for ASSA's other lockable espagnolettes.

### Material

The turn catch is made of zinc alloy with a spindle of galvanized steel.

### Surface treatment



Chrome, satin chrome, brass plated,  
(powder coat and miralloy on request).



ASSA 7313

ASSA 7335

# Cover plate for handle 7314

### ASSA Vinga 7323

ASSA 7323 is suitable on the outside of a lockable espagnolette.

### Function and features

The cover plate is fitted to handle ASSA 7314 from the backside and is used when a cylinder is not required.

### Material

The cover plate is made of zinc alloy.

### Surface treatment



Chrome, satin chrome, brass plated,  
(powder coat and miralloy on request).



ASSA 7323



## Handles for internal doors

### **ASSA Vinga 73**

ASSA 73 is a door handle in the Vinga series that makes it possible to choose an ironmongery solution with the same design for both windows and doors.

### **Function and features**

The handle is intended for light internal doors in the housing sector. The mounting is made with two M5-screws and fixed nipples. The handle is suitable for doors of 40 mm thickness.

### **Material**

The handle is made of zinc alloy.

### **Surface treatment**



Chrome, satin chrome, miralloy



## Turn catch for bathrooms

### ASSA Vinga 7360

The turn catch for bathrooms ASSA 7360 is an accessory to the handle ASSA 73. The turn is suitable to ASSA 2020, ABLOY 2014, 414 and 40T.

### Function and features

The turn catch has a red/white indicator on both in- and outside and is mounted with two M5-screws and fixed nipples.

### Material

The escutcheon and turn are made of zinc alloy.

### Surface treatment



Chrome, satin chrome, miralloy

## Key escutcheon

### ASSA Vinga 7390

The key escutcheon ASSA 7390 is an accessory to the handle ASSA 73 and is suitable to ASSA 2020, ASSA 40C and ABLOY 2014.

### Function and features

The escutcheon is mounted with two M5-screws and fixed nipples.

### Material

The escutcheon is made of zinc alloy.

### Surface treatment



Chrome, satin chrome, miralloy



The unique snap-in function gives

- an easy and quick mounting of the handle
- an easy change of handles.

## Mounting of Vinga handles



The handle plate is mounted.



The handle, with the cover plate, is pressed onto the handle plate with the easy snap-in function.



The cover plate is pressed on. The mounting is completed.

## Dismounting of Vinga handles

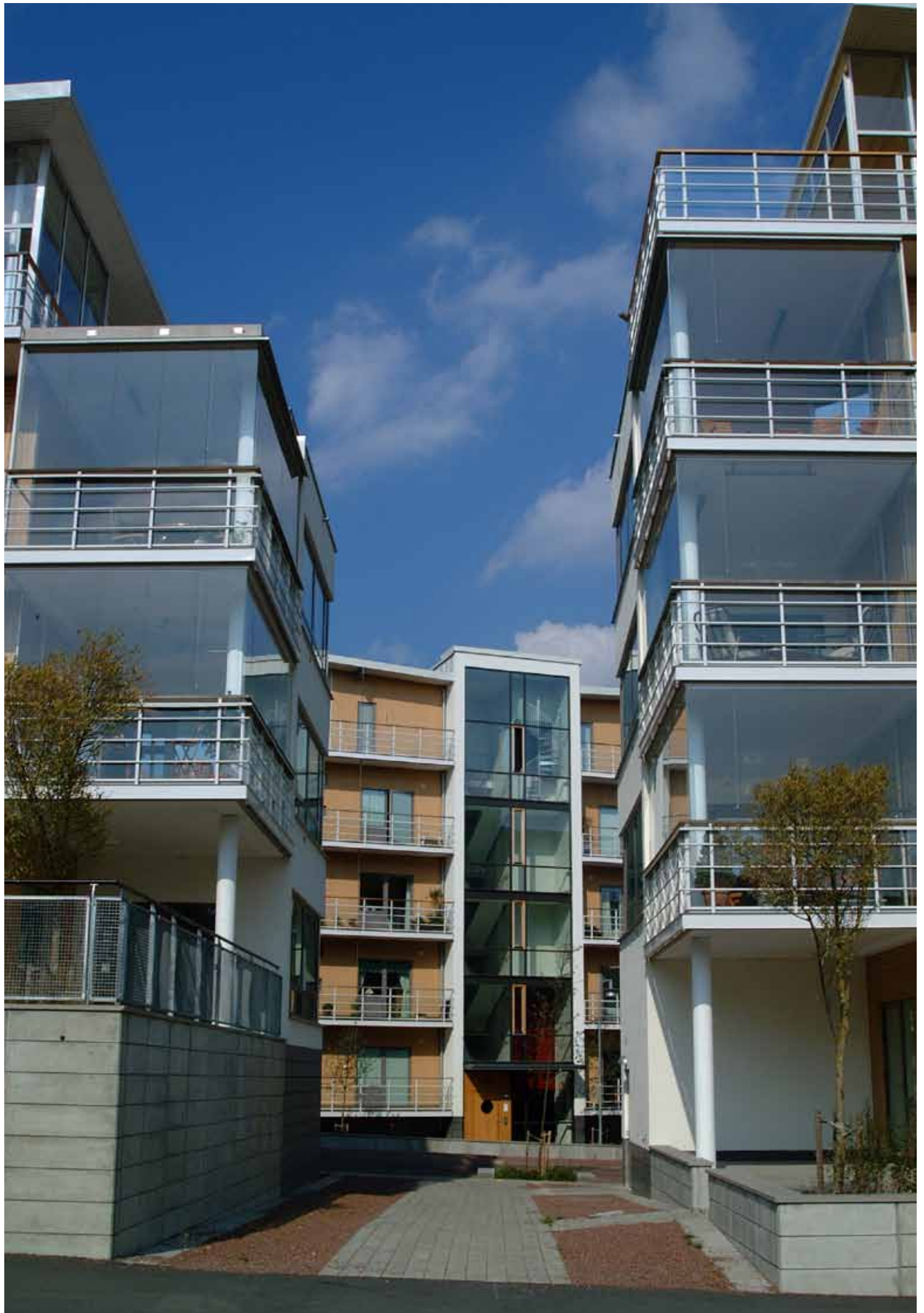


The cover plate is loosened and turned. The dismantling key ASSA 7339 is pushed into the slot on the handle plate.



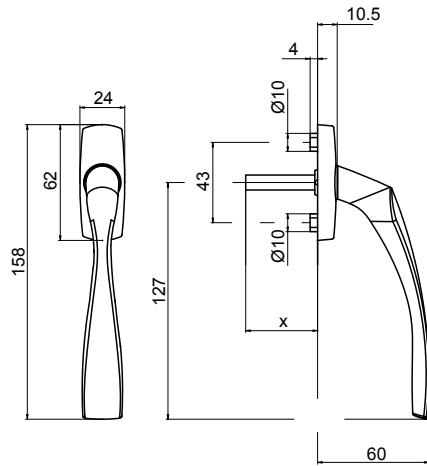
The handle is pulled from the handle plate.



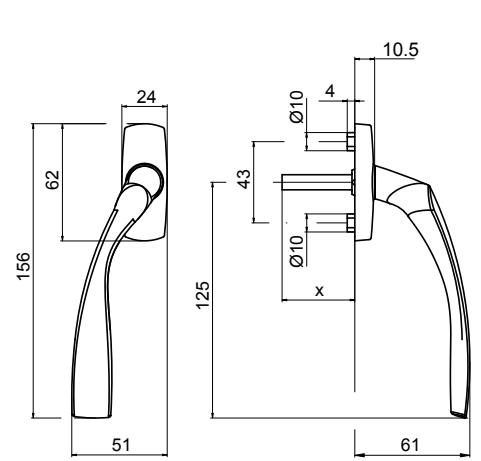




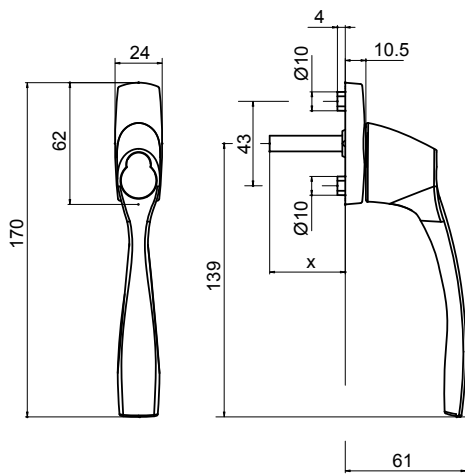
7311



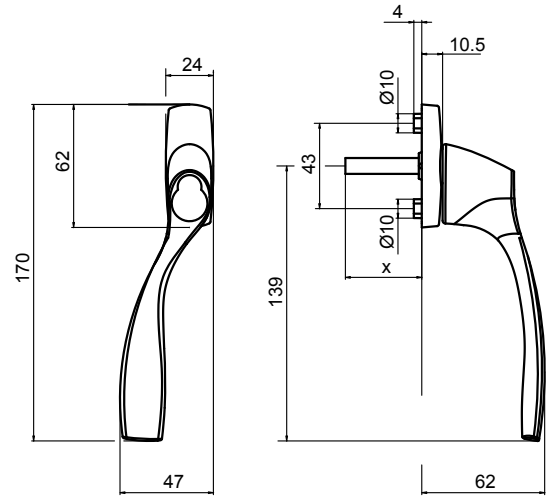
7311V



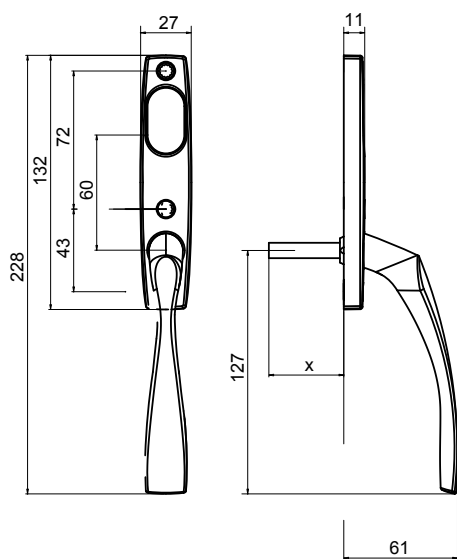
7312



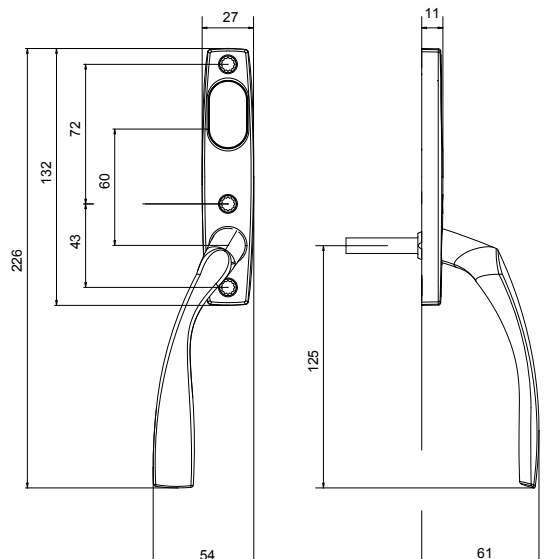
7312V



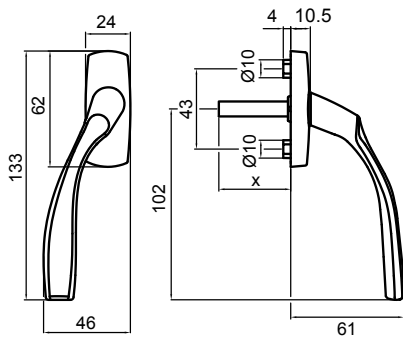
7314/7315



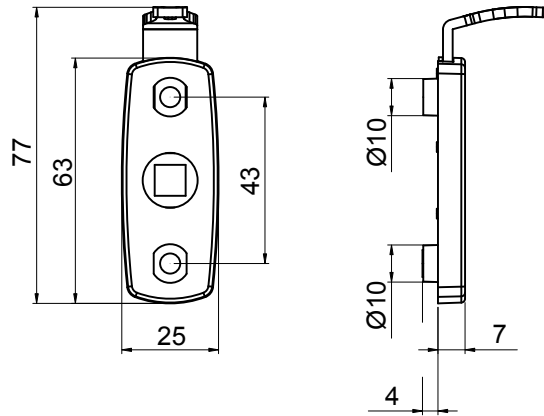
7314/7315V



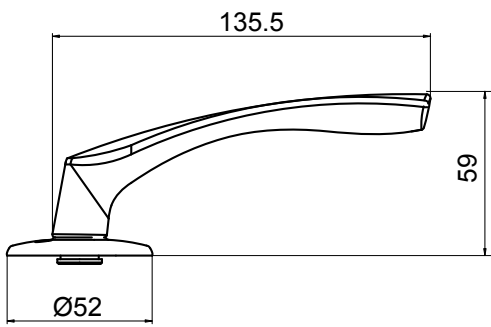
7343V



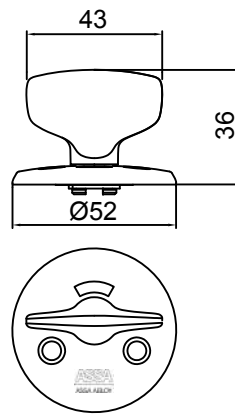
7450



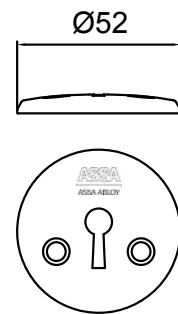
73



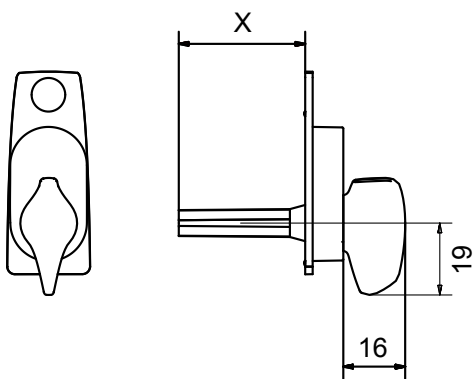
7360



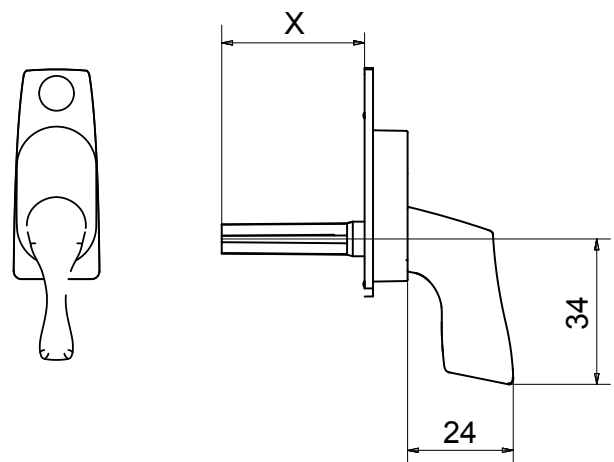
7390



7335



7313



ASSA OEM AB  
Bruksgatan 17  
SE-414 51 Göteborg  
Sweden

Box 12199  
SE-402 42 Göteborg  
Sweden

phone +46 (0)31-704 40 00

e-mail: [info.gbg@assaoem.se](mailto:info.gbg@assaoem.se)  
[www.assaoem.se](http://www.assaoem.se)

# ASSA<sup>®</sup>

## ASSA ABLOY

ASSA ABLOY, the global leader in door opening solutions, dedicated to satisfying end-user needs for security, safety and convenience.

